

# ALPINE

## EV-100SW3-T

10" EV-Series Subwoofer  
for Tesla Model 3







- For iPhone users, please search "Alpine Music" in APP Store to download and install the tuning software; for Android users, please scan the QR code on the right to download and install the software directly.



Alpine Music

# Operation Instructions

## Types of Precautions

 Prohibited	Indicates a prohibited action (must not be performed).
 Prohibited	Indicates that disassembly is prohibited.
 Mandatory	Indicates a mandatory operation (must be performed).
	Indicates that it should draw your close attention.

### **Warning**

#### **In case of problems, please stop using the device immediately.**

Continued use may result in personal injury or damage to the product. Please return the product to the authorised Alpine dealer or nearby Alpine service center for repair.

#### **The product is only suitable for 12V negative-grounded vehicles.**

Use within other types of vehicles may create a fire or electrical hazard.

#### **Please contact a professional for wiring and installation.**

This product requires professional expertise to wire and install. Please contact the dealer from whom you bought the product to install it safely.

#### **Please do not disassemble or refit.**

Doing so may result in product damage, fire or electrical hazard.

#### **Small items like bolts or screws must be kept out of the reach of children.**

If ingested, please seek Immediate medical attention to avoid serious injury.

#### **Please do NOT use functions that may distract you while driving.**

Any device function that may influence your attention must be used only when the vehicle is stopped completely. To use these functions, make sure to stop your vehicle in a safe area first. Otherwise, it may result in an accident.

#### **While driving, you must maintain the volume at a level that allows outside noise to remain audible.**

It is very dangerous not to hear an emergency vehicle alarm or road warning signal (such as a railway crossing) and may result in an accident. Moreover, excessively loud volume may create permanent hearing damage or hearing loss.

### **Caution**

#### **Product maintenance**

Please regularly clean the item with a soft, dry cloth. For tough stains, use only water to dampen the cloth as other solvents may result in dissolution.

#### **Temperature**

Before starting the device, please ensure that the temperature inside the vehicle is between +60°C and -20°C.

#### **Repair**

In the case of a problem, please do not attempt to repair the product yourself. Please return the product to the authorised Alpine dealer or Alpine service center.

#### **System matching**

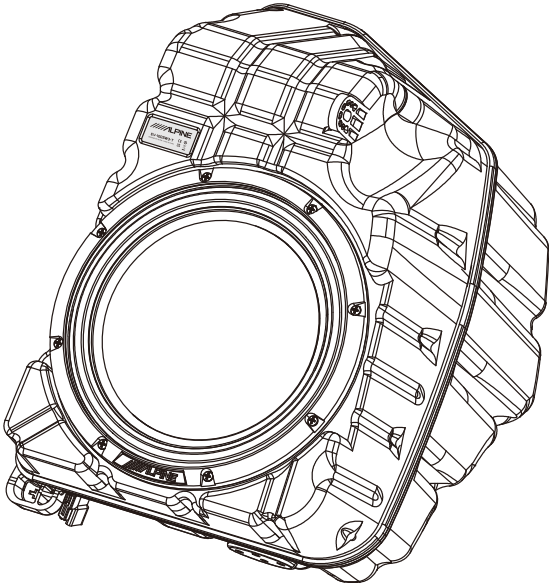
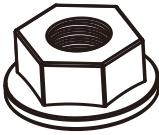
This product is specially designed for Tesla cars and is not suitable for other vehicles.

#### **Installation environment**

The device cannot be installed at the following locations:

- Under direct sunlight or near a source of heat.
- With high humidity or near a source of water.
- Dusty environments.
- Environments with violent vibration.

# Components

Subwoofer	Nut (M6)
 <p style="text-align: right;">× 1</p>	 <p style="text-align: right;">× 1</p>

# Specifications

Subwoofer	10" (254mm) Woven carbon fibre cone
Subwoofer diameter	262mm
Unit weight	6.0kg
Maximum rated power (RMS)	100W
Maximum peak power (Peak)	500W
Impedance	4Ohms (DCR 3.6Ohms) + 4Ohms (DCR 3.6Ohms)
Sensitivity	86dB SPL (1W @ 1m)
Frequency response	25Hz - 300Hz
Resonance frequency	25Hz

# Product Dimensions

