



S2-SERIES SUBWOOFER HAUT-PARLEUR D'EXTRÊMES GRAVES S-SERIES APPLICATION GUIDE GUIDE D' APPLICATION

S2-W12D4

12 Inch Dual Voice Coil Subwoofer (4Ω)+(4Ω)
Haut-parleur d'extrêmes graves à double bobine 12 po (4Ω)+(4Ω)

S2-W12D2

12 Inch Dual Voice Coil Subwoofer (2Ω)+(2Ω)
Haut-parleur d'extrêmes graves à double bobine 12 po (2Ω)+(2Ω)

S2-W10D4

10 Inch Dual Voice Coil Subwoofer (4Ω)+(4Ω)
Haut-parleur d'extrêmes graves à double bobine 10 po (4Ω)+(4Ω)

S2-W10D2

10 Inch Dual Voice Coil Subwoofer (2Ω)+(2Ω)
Haut-parleur d'extrêmes graves à double bobine 10 po (2Ω)+(2Ω)

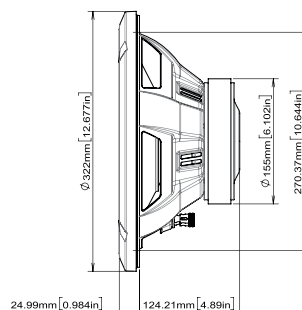
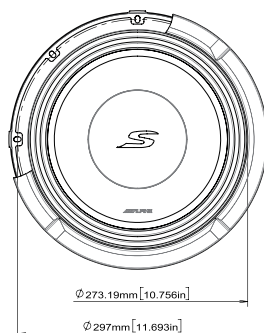
S2-W8D4

8 Inch Dual Voice Coil Subwoofer (4Ω)+(4Ω)
Haut-parleur d'extrêmes graves à double bobine 8 po (4Ω)+(4Ω)

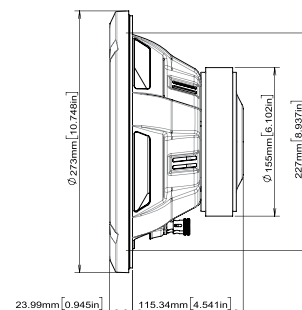
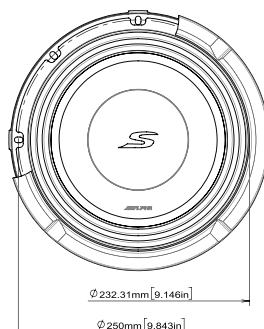
S2-W8D2

8 Inch Dual Voice Coil Subwoofer (2Ω)+(2Ω)
Haut-parleur d'extrêmes graves à double bobine 8 po (2Ω)+(2Ω)

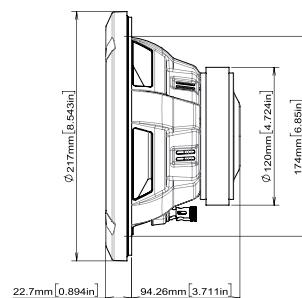
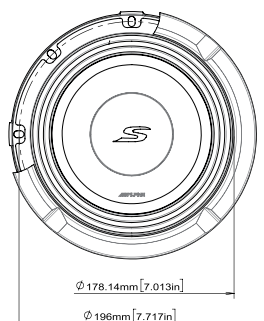
S2-W12D2
S2-W12D4



S2-W10D2
S2-W10D4



S2-W8D2
S2-W8D4



ALPINE®

ALPS ALPINE (Head Office)

1-7, Yukigaya-otsukamachi, Ota-ku
Tokyo, 145-8501
TEL. +81(3)3726-1211

ALPS ALPINE (Iwaki Office)

20-1 Yoshima-Industrial Park, Iwaki
Fukushima Prefecture 970-1192
TEL. +81(246)36-4111

**ALPS ALPINE NORTH AMERICA
(Detroit Office)**

1500 Atlantic Blvd
Auburn Hills, Michigan 48326
TEL. (248) 391-9950

ALPS ALPINE EUROPE GmbH (Head Office)

Ohmstrasse 4, D-85716
Unterschleissheim, Germany
TEL. +49(89)321421-0

ALPS ALPINE EUROPE GmbH (Sweden Office)

Gruvgatan 37, 421 30
Vastra Frolunda, Sweden
TEL. +46(31)758-3300

ALPS ALPINE (China)

East 28F, Hanwei Plaza, No.7 Guanghua
Street, Chaoyang District
Beijing, 100004, P.R. of China
TEL. +86(10)6539-3690 (Alps) /
+86(10)6566-0308 (Alpine Electronics)

**ALPS ALPINE EUROPE GmbH
(France Office)**

Parc d'Activités Paris Nord II 184,
allée des érables BP 68125 Villepinte 95975
Roissy Charles de Gaulle Cedex, France
TEL. +33(148)631-290

ALPS ALPINE EUROPE GmbH (Italy Office)

Viale C. Colombo 8, 20090
Trezzano sul Naviglio (MI), Italy
TEL. +39(02)90394-559

ALPS ALPINE EUROPE GmbH (UK Office)

Aurora House, Deltic Avenue, Rooksley,
Milton Keynes, MK13 8LW, U.K.
TEL. +44(1908)354-210

ALPS ALPINE ASIA

The 9th Towers, Tower B, 24th Floor,
Unit TNB01-03, 33/4 Rama 9 road
Huay Kwang, Bangkok, 10310, Thailand
TEL. +66(2)090-9596

ALPINE ELECTRONICS OF AUSTRALIA

161-165 Princes Highway
Hallam Victoria, Australia 3803
TEL. +61(3)8787-1200

Printed in CHINA

General Specifications		
Sealed	Taille	
Frequency Response	Response en Fréquence	
Power Range	Plage de Puissance	
Power Handling	Puisance Admissible	
Magnet Weight	Poids de l'aimant	
Voice Coil Diameter	Diamètre de la bobine	
Thiele-Small Parameters		
Sensitivity (1W/1m)	Sensibilité (1W/1m)	<i>SPL</i>
DC Resistance	Résistance CC	<i>Re</i>
Inductance	Inductance	<i>Le</i>
Free Air Resonance	Résonance à l'air libre	<i>Fs</i>
Equivalent Stiffness	Raidier équivalente	<i>Vas</i>
Mechanical Q	Q Mécanique	<i>Qms</i>
Electrical Q	Q Électrique	<i>Qes</i>
Total Q	Q Total	<i>Qts</i>
Cone Area	Surface du diaphragme	<i>Sd</i>
Linear Excursion	Displacement Linéaire	<i>Xmax</i> (1-way)
Mechanical Travel	Déplacement Mécanique	<i>Xmech</i> (P-P)

S2-Series					
S2-W8D2	S2-W8D4	S2-W10D2	S2-W10D4	S2-W12D2	S2-W12D4
2Ω+2Ω	4Ω+4Ω	2Ω+2Ω	4Ω+4Ω	2Ω+2Ω	4Ω+4Ω
8"		10"		12"	
23Hz-215Hz		25Hz-215Hz		23Hz-215Hz	
150W-300W RMS		250W-600W RMS			
300W RMS (efficace) / 900W PEAK (de crête)		600W RMS (efficace) / 1800W PEAK (de crête)			
34 oz		64 oz			
35.55 mm (1.4")		65.5 mm (2.6")			
Thiele-Small Parameters					
82.6 dB	82.7 dB	84.5 dB	84.9 dB	85.7 dB	86.2 dB
1.8Ω+1.8Ω	3.6Ω+3.6Ω	1.8Ω+1.8Ω	3.6Ω+3.6Ω	1.8Ω+1.8Ω	3.6Ω+3.6Ω
2.62 mH	1.11 mH	3.85 mH	1.59 mH	3.79 mH	1.55 mH
46.5 Hz	47.9 Hz	31.1 Hz	32.0 Hz	26.6 Hz	28.8 Hz
7.2 L	7.5 L	24.5 L	24.9 L	55.1 L	51.5 L
5.6	5.9	6.4	5.6	6.5	5.9
0.65	0.74	0.43	0.44	0.46	0.47
0.59	0.64	0.41	0.41	0.43	0.44
194 cm ²		330 cm ²		472 cm ²	
13 mm		15 mm			
40 mm		64 mm			

Note: Specifications subject to change without notice

		S2-W8D2/D4	S2-W10D2/D4	S2-W12D2/D4
Sealed Box Range	Net Internal Volume	0.15-0.50 ft ³	0.4-0.85 ft ³	0.55-1.0 ft ³
Recommended Sealed Box	External Box Dimensions	13"x13"x5.5"	12"x12"x10.5"	14"x14"x11"
	Gross Internal Volume	0.30 ft ³	0.58 ft ³	0.85 ft ³
	Net Internal Volume	0.27 ft ³	0.53 ft ³	0.79 ft ³
	F3, Qtc	D2: 61 Hz, 0.72 D4: 57 Hz, 0.78	D2: 47 Hz, 0.73 D4: 48 Hz, 0.77	D2: 41 Hz, 0.88 D4: 42 Hz, 0.91
Vented Box Range	Net Internal Volume	0.35-0.70 ft ³	0.75-1.3 ft ³	1.0-1.5 ft ³
	Tuning	36-40Hz	35-39Hz	32-37Hz
Recommended Vented Box	External Box Dimensions	11"x8.5"x20"	23"x12"x11.5"	23"x12.5"x14"
	Gross Internal Volume	0.71 ft ³	1.3 ft ³	1.71 ft ³
	Vent Area (dimensions)	5.25in ² (7"x 0.75")	10in ² (10"x 1")	12.5in ² (12.5"x 1")
	Vent length	15.5"	17"	16"
	Vent Displacement	0.10 ft ³	0.17 ft ³	0.20 ft ³
	Net Internal Volume (Vb)	0.58 ft ³	1.08 ft ³	1.45 ft ³
	F3, ripple, Fb	D2: 31Hz, 1.1dB, 37Hz D4: 31Hz, 1.6dB, 37Hz	D2: 29Hz, 2.9dB, 35Hz D4: 29Hz, 2.3dB, 35Hz	D2: 30Hz, 3.3dB, 34Hz D4: 30Hz, 4.1dB, 34Hz

Notes:

1) Recommended enclosure net Internal volume is based upon 3/4" (19mm) MDF enclosure construction.

2) Consult the table below for alternative enclosure net internal volume calculation.

Front Mount Displacement* (magnet in)	-0.03ft ³	-0.05ft ³	-0.06ft ³
Reverse Mount Added Volume* (magnet out)	+0.03ft ³	+0.05ft ³	+0.07ft ³

*Based upon 3/4" (19mm) baffle thickness, with opening cut approximately to gasket inner diameter

		S2-W8D2/D4	S2-W10D2/D4	S2-W12D2/D4
Gamme Box Sealed	Net volume interne	0.15-0.50 pi ³	0.4-0.85 pi ³	0.55-1.0 pi ³
Recommended Boîte Scellé	Dimensions extérieures	13 po x13 po x5.5 po	12 po x12 po x10.5 po	14 po x14 po x11 po
	Volume intérieur brut	0.30 pi ³	0.58 pi ³	0.85 pi ³
	Volume intérieur Net ***	0.27 pi ³	0.53 pi ³	0.79 pi ³
	F3, Qtc	D2: 61 Hz, 0.72 D4: 57 Hz, 0.78	D2: 47 Hz, 0.73 D4: 48 Hz, 0.77	D2: 41 Hz, 0.88 D4: 42 Hz, 0.91
Gamme charge bass-reflex	Volume net interne	0.35-0.70 pi ³	0.75-1.3 pi ³	1.0-1.5 pi ³
	mise au point	36-40Hz	35-39Hz	32-37Hz
Recommended charge bass-reflex	Dimensions extérieures	11 po x8.5 po x20po	23 po x12 po x11.5 po	23 po x12.5 po x14 po
	Volume intérieur brut	0.71 pi ³	1.3 pi ³	1.71 pi ³
	Aire de l'évent (dimensions)	5.25in ² (7 po x 0.75 po)	10in ² (10 po x 1 po)	12.5in ² (12.5 po x 1 po)
	Longueur de l'évent	15.5 po	17 po	16 po
	déplacement de l'évent	0.10 pi ³	0.17 pi ³	0.20 pi ³
	Volume intérieur Net (Vb)***	0.58 pi ³	1.08 pi ³	1.45 pi ³
	F3, crête, Fb	D2: 31Hz, 1.1dB, 37Hz D4: 31Hz, 1.6dB, 37Hz	D2: 29Hz, 2.9dB, 35Hz D4: 29Hz, 2.3dB, 35Hz	D2: 30Hz, 3.3dB, 34Hz D4: 30Hz, 4.1dB, 34Hz

Notes:

1) Recommandé enceinte volume net interne est basée sur 3/4 "(19mm) de construction boîtier en MDF.

2) Consulter le tableau ci-dessous pour le calcul de filet d'enclos alternative volume interne.

Avant le déplacement du Mont * (aimant)	-0.03ft ³	-0.05ft ³	-0.06ft ³
Inverser Volume mont Ajouté * (des aimants)	+0.03ft ³	+0.05ft ³	+0.07ft ³

* Sur la base de l'épaisseur du déflecteur 3/4" (19mm), avec une ouverture coupée à peu près à joint diamètre intérieur

Parabolic Cone Structure with PP/Carbon Fiber Cone & PP/Ceramic Dust Cap

**High Amplitude Multi-Roll
(HAMR) Surround**
(US Pat #8,208,677)

**Twist-Lock Grille
System with no patent**

**High Strength
Steel Frame**

**Perimeter Venting with
Airflow Management
System** (US Pat #7,684,585)

**High-Excursion Underhung
Voice Coil Configuration**

**Compound Radius Curve
Extended Pole Geometry**
(US Pat #6,639,993)

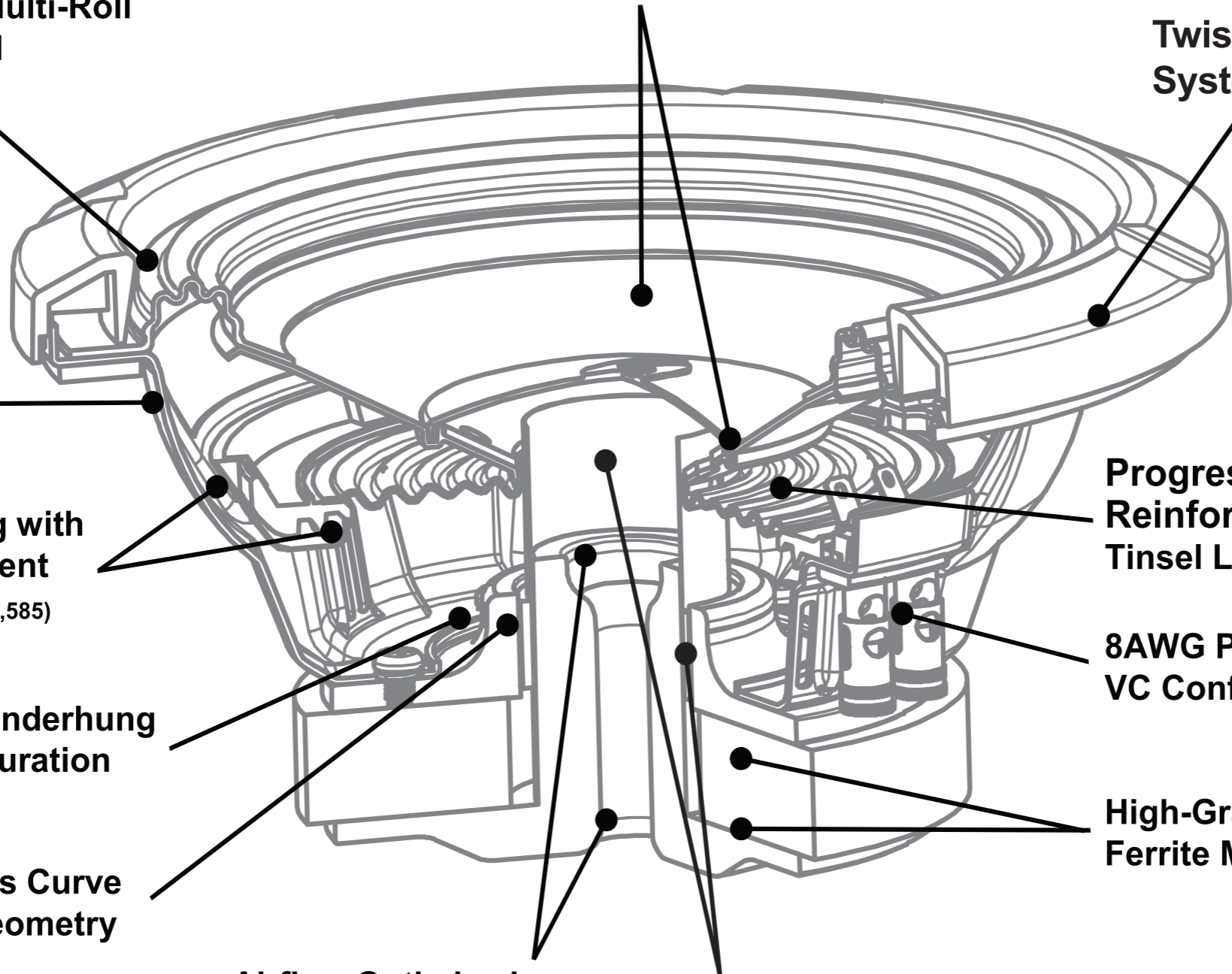
**Airflow Optimized
Dual Flare Pole Vent**

**65mm Voice Coil with High-Temp
5-Layer DVC Winding on AL Former**

**Progressive Spider with
Reinforced Layer
Tinsel Leads** (US Pat #6,810,988)

**8AWG Push Terminals with
VC Configuration Jumpers**

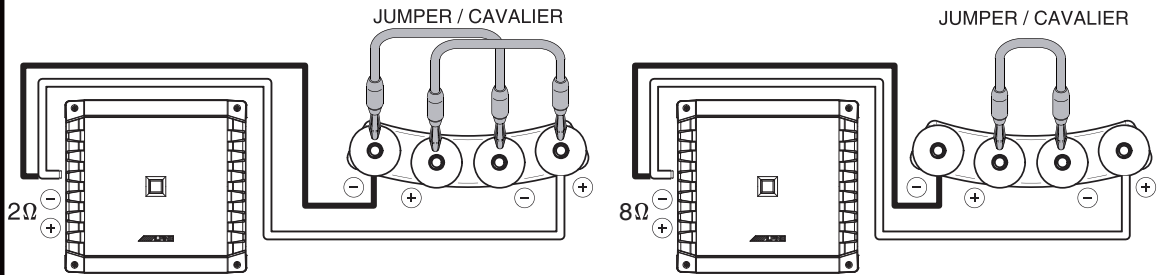
**High-Grade Strontium
Ferrite Magnets**



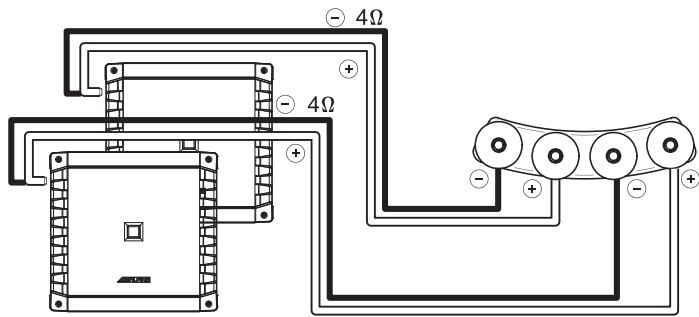


4Ω + 4Ω

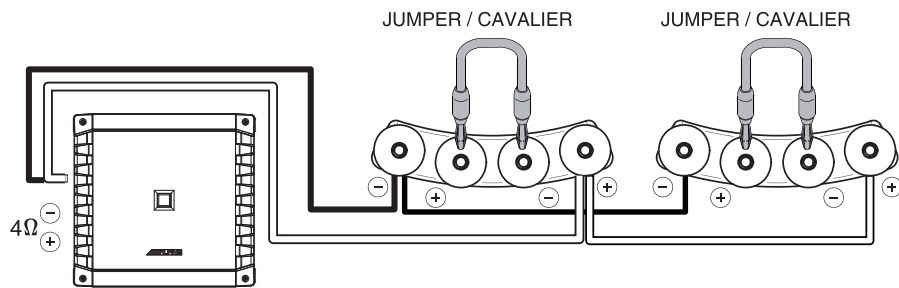
Example 1 One Amplifier + One Subwoofer



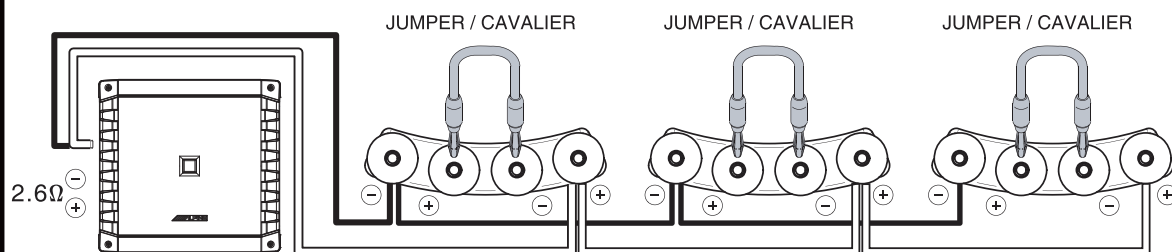
Example 3 Two Amplifiers + One Subwoofer



Example 5 One Amplifier + Two Subwoofers



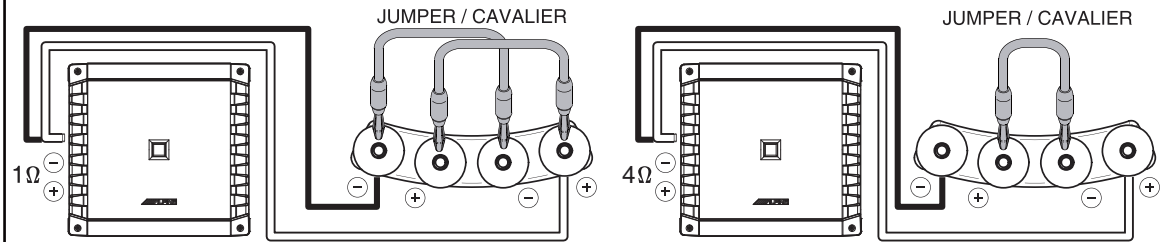
Example 7 One Amplifier + Three Subwoofers



2Ω + 2Ω

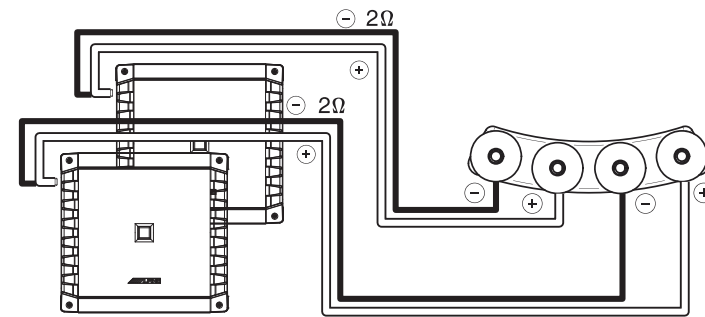
S2-W8D4 / S2-W10D4 / S2-W12D4
S2-W8D2 / S2-W10D2 / S2-W12D2

Example 2 One Amplifier + One Subwoofer

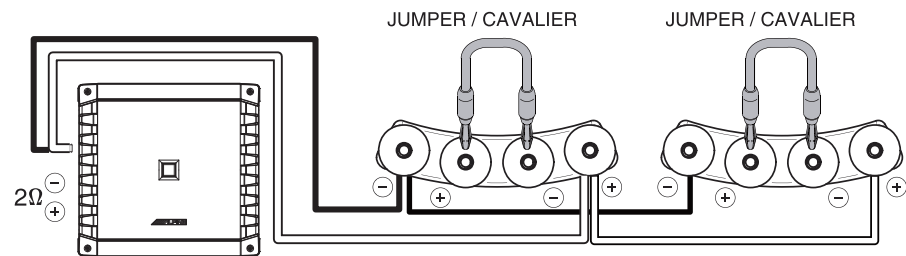


**Caution ! Consult amplifier owner's manual for 1Ω connection.
Attention : lire le manuel de l'amplificateur pour la connexion à 1Ω .**

Example 4 Two Amplifiers + One Subwoofer



Example 6 One Amplifier and Two Subwoofers



Example 8 One Amplifier + Four Subwoofers

